

DATA SHEET

# VARIAIR BCV 300

## CLAW VACUUM PUMPS

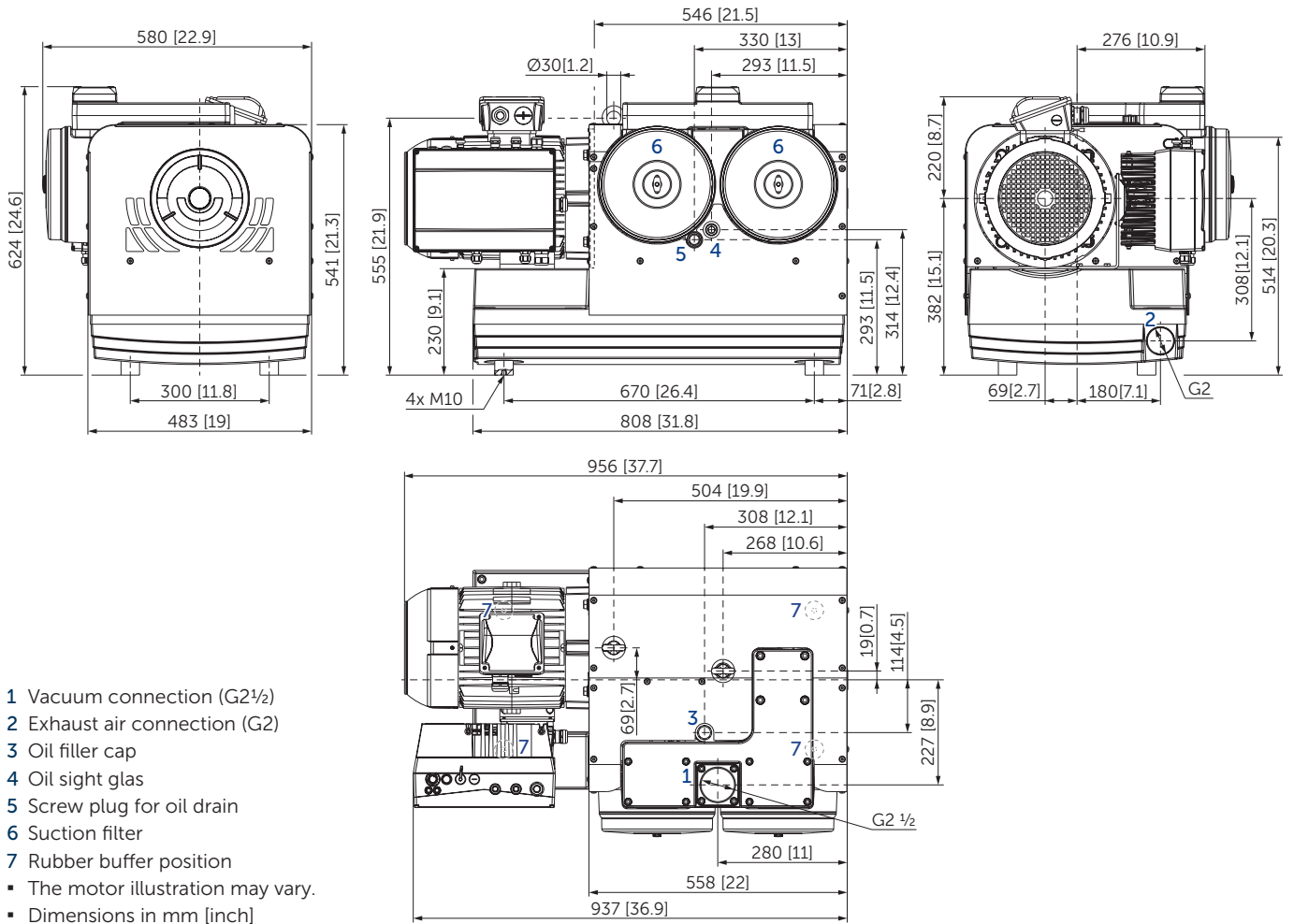
dry and contact free compression  
air-cooled, frequency inverter

**MAKE IT BECKER.**



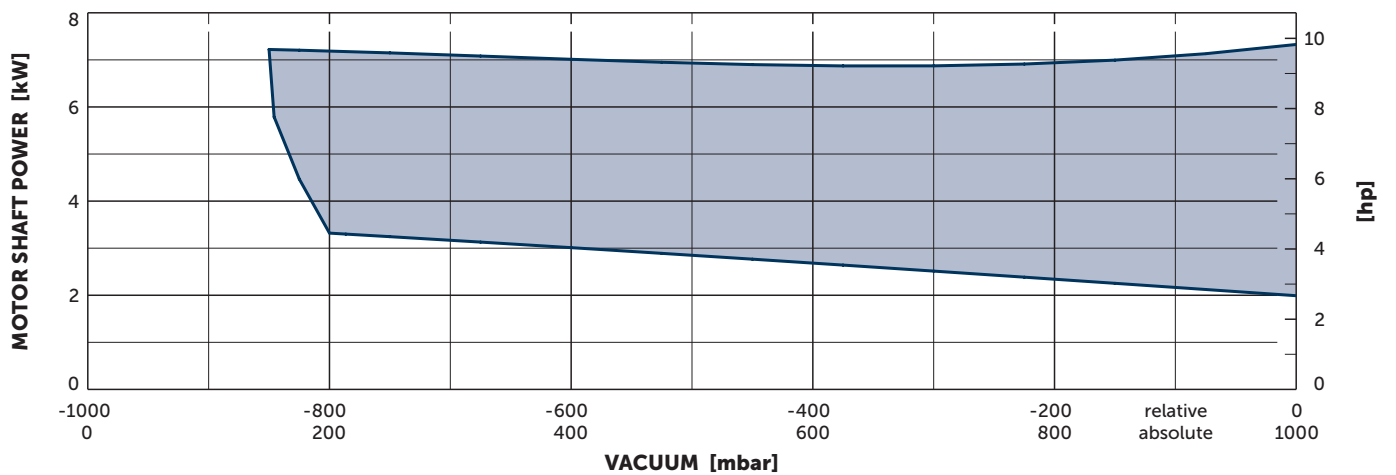
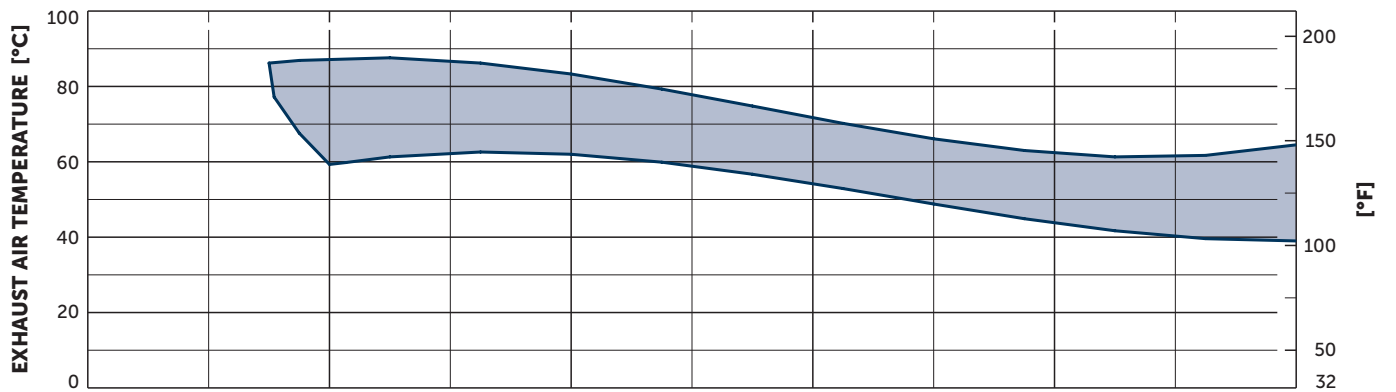
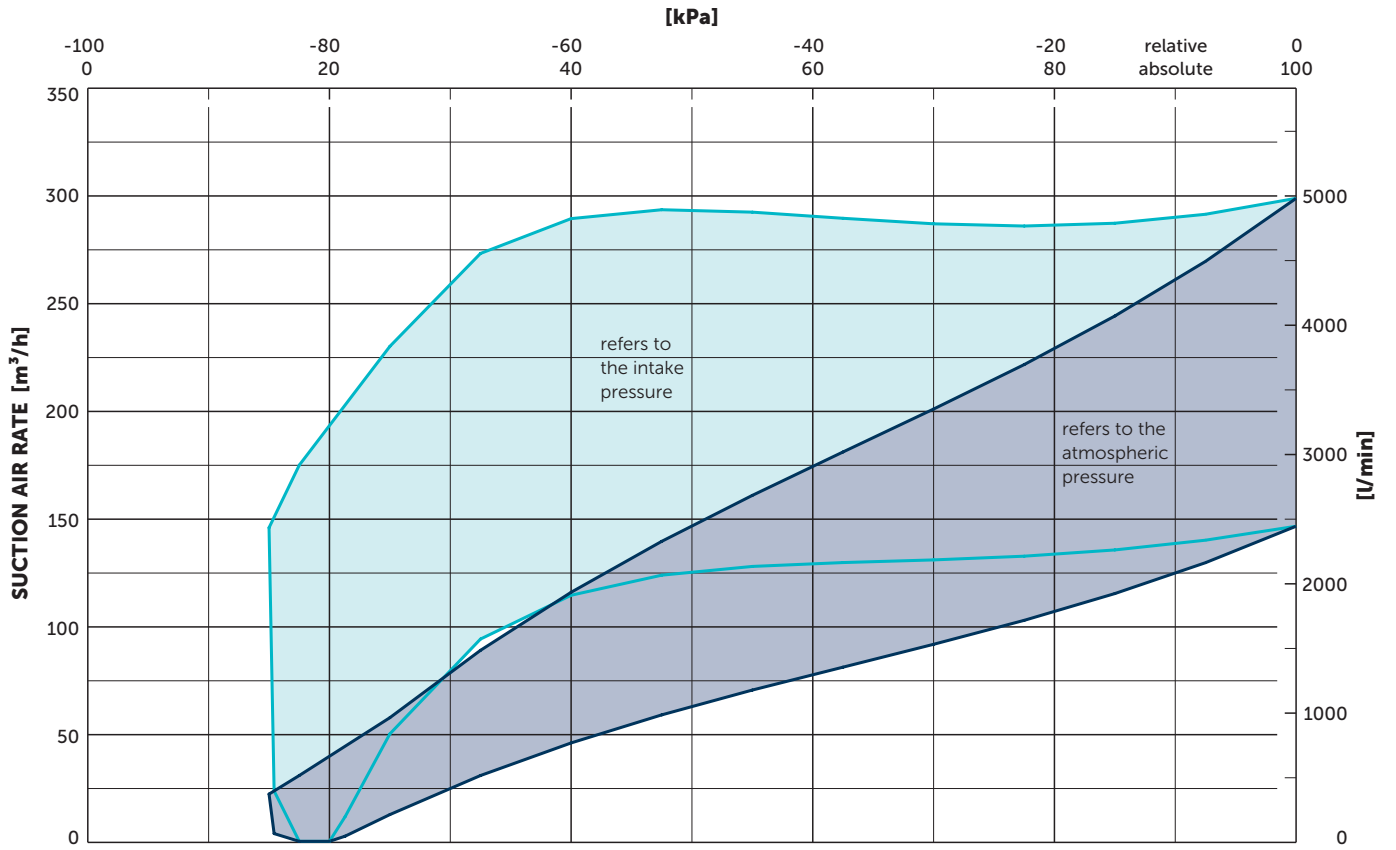
**VARIAIR**  
UNIT

 **BECKER**



Nominal capacity	Vacuum absolute	Frequency	Emission sound pressure level <sup>1)</sup>	Weight	Frequency inverter VAU7.5/3	
m <sup>3</sup> /h max.	mbar max.	Hz	dB(A) @ 400 mbar (40 Hz)	kg	7.5 kW 400–480 V ±10% 50/60 Hz	A max.
325	150	30–60	74	340		16

<sup>1)</sup> According to DIN EN ISO 11203, accuracy class of measurement: class 2, extended measurement uncertainty: 3 dB  
 1 m [39.4 inch] distance, at medium load, both connection sides piped



Reference data (atmosphere): 1000 mbar (100 kPa), 20°C (68°F), measurements with integrated filters  
 Tolerance:  $\pm 10\%$



**MAKE IT BECKER.**