

DATA SHEET

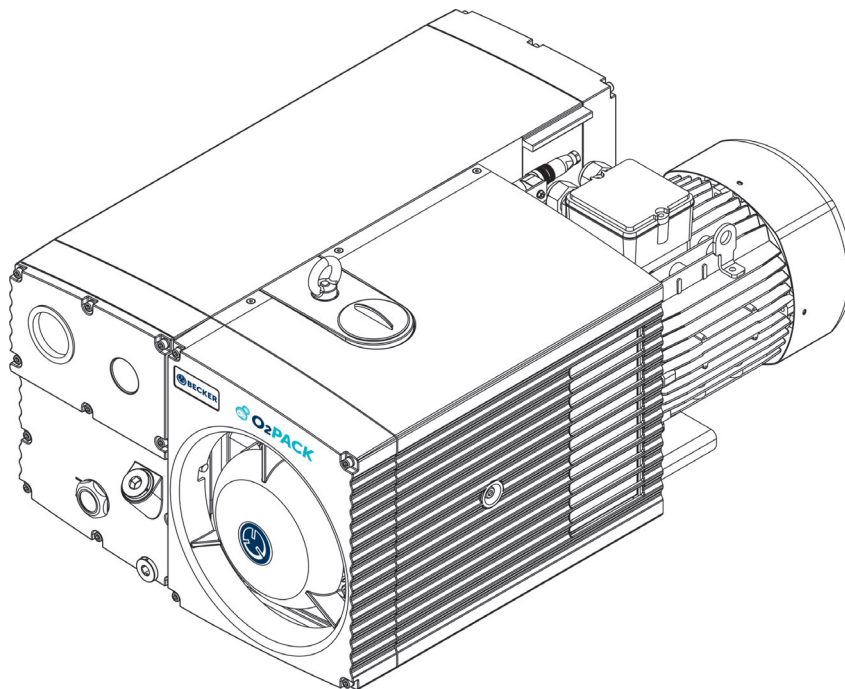
# U 5.166 O<sub>2</sub>-PACK ROTARY VANE- VACUUM PUMPS

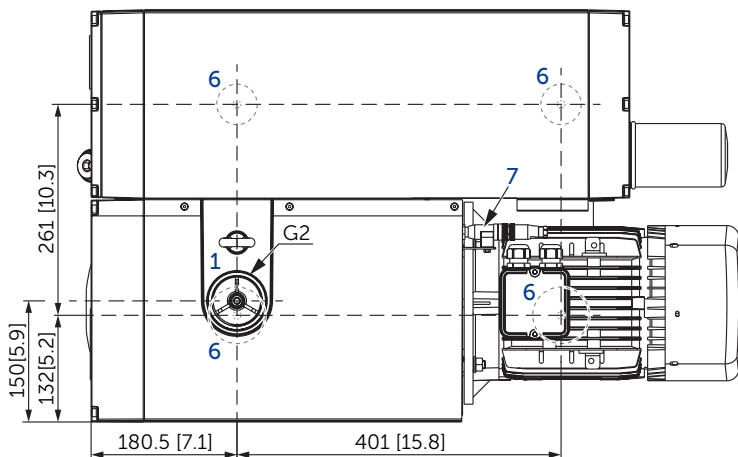
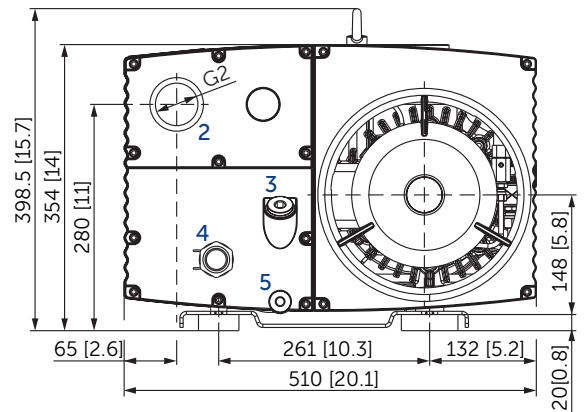
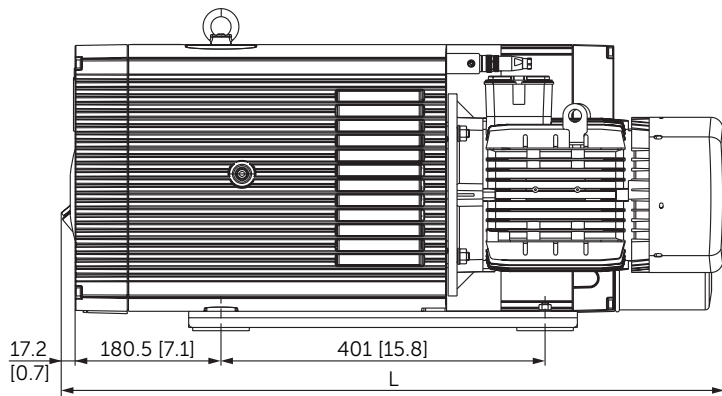
oil-lubricated

air-cooled

---

**MAKE IT BECKER.**



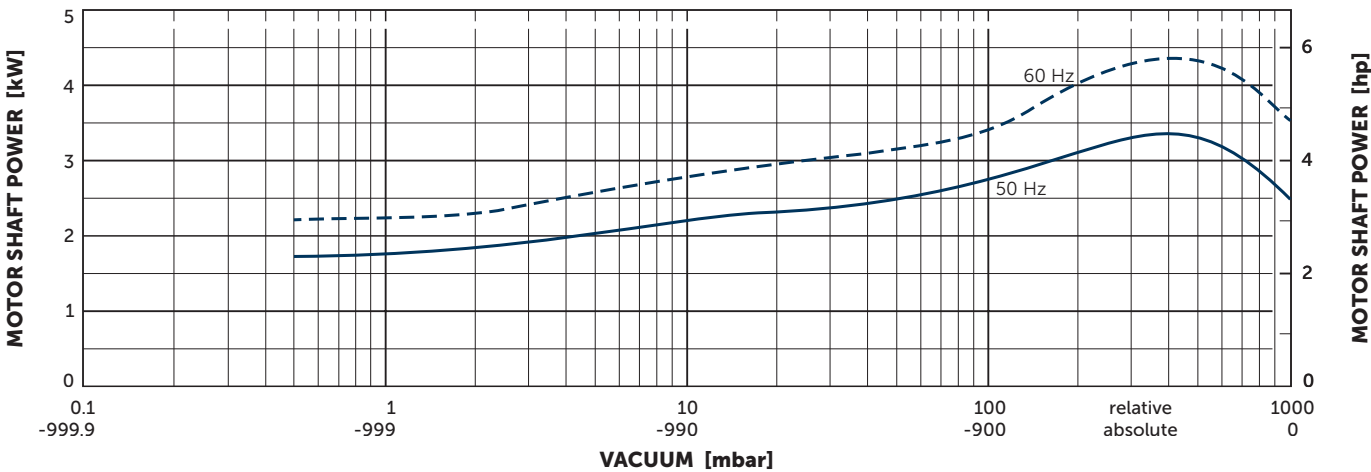
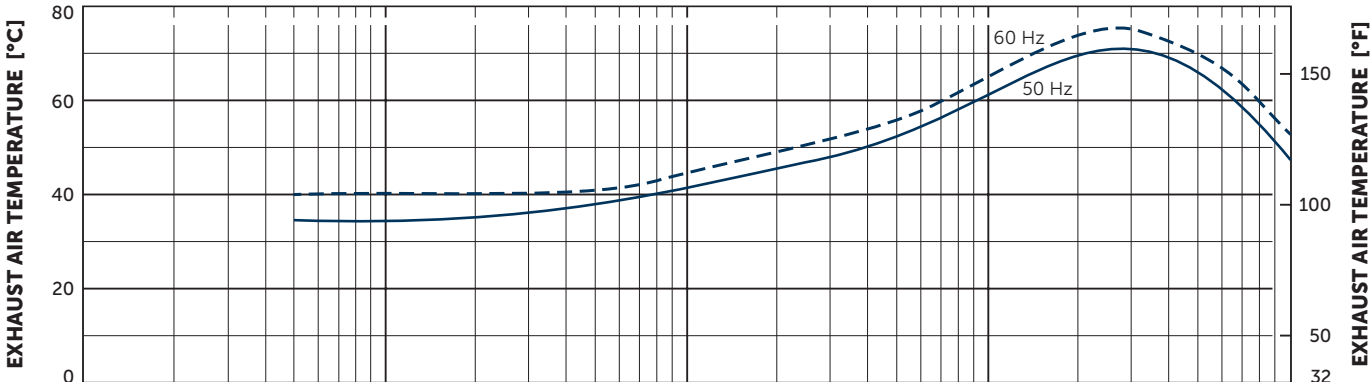
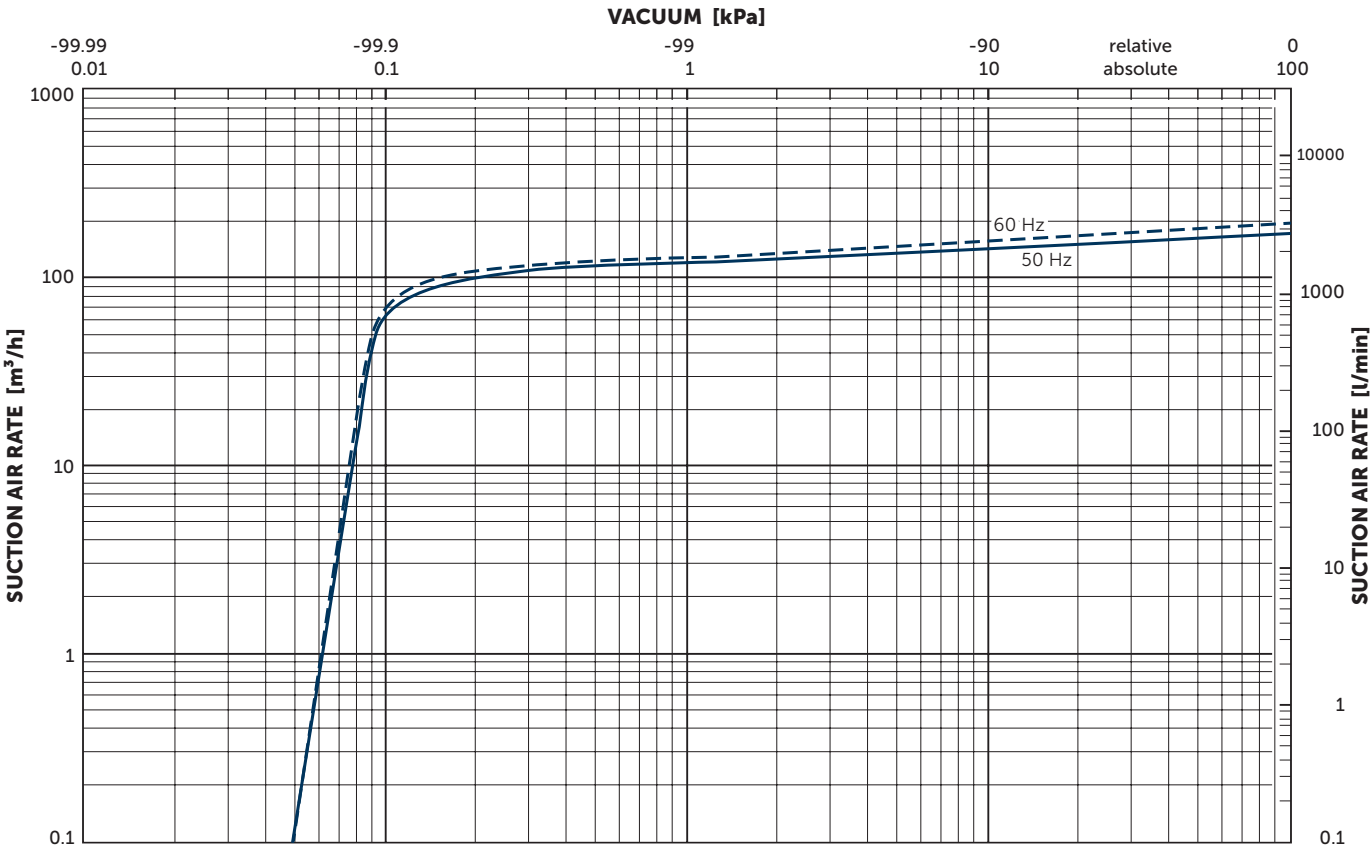


- 1 Vacuum connection (G2)
- 2 Exhaust air connection (G2)
- 3 Oil filler cap (G<sup>3</sup>/<sub>4</sub>)
- 4 Oil sight glass (G1)
- 5 Screw plug for oil drain (G<sup>1</sup>/<sub>2</sub>)
- 6 Rubber buffer position
  - incl. gas ballast valve, non-return valve, oil separator and oil filter
  - The motor illustration may vary
  - Dimensions in mm [inch]

| Nominal capacity  |       | Vacuum absolute for continuous operation |          | Emission sound pressure level <sup>1)</sup> |       | Weight incl. motor | Oil Fomblin® YL VAC 25/6 | L          |
|-------------------|-------|--|----------|---|-------|--------------------|--------------------------|------------|
| m <sup>3</sup> /h |       | mbar                                     |          | dB(A)                                       |       | kg                 | l                        | mm [inch]  |
| 50 Hz             | 60 Hz | 50 Hz                                    | 60 Hz    | 50 Hz                                       | 60 Hz |                    |                          |            |
| 165               | 198   | <0.5–100                                 | <0.5–100 | 70  | 72    | 133                | 5 (9.5 kg)               | 842 [33.2] |

| #  | 3~ Motors |           |     |      |           |       |                            |          |              |                           | Version                                       |
|----|-----------|-----------|-----|------|-----------|-------|----------------------------|----------|--------------|---------------------------|---|
|    | 50 Hz     |           |     |      |           | 60 Hz |                            |          |              |                           |   |
|    | kW        | V         | rpm | A    | kW        | V     | rpm                        | A        |              |                           |   |
| 01 | 3.0       | Δ230/Y400 | IE3 | 1458 | 11.4/6.57 | 3.6   | Δ265/Y460<br>Δ230/Y400     | IE3      | 1749<br>–    | 11.2/6.48<br>12.0/6.94    | UL (E365362) • CSA<br>IP 55 • ISO F • bimetal |
| 02 |           |           |     |      |           | 3.6   | YY230/Y460<br>YY208        | IE3<br>– | 1750<br>1737 | 12.7/6.34                 | UL (E365362) • CSA<br>IP 55 • ISO F • bimetal |
| 03 | 3.0       | Δ200/Y350 | IE3 | 1463 | 12.9/7.47 | 3.6   | Δ200/Y380–400<br>Δ200/Y350 | IE3<br>– | 1753<br>1739 | 13.2/7.6–7.24<br>13.8/8.0 | UL (E365362) • CSA<br>IP 55 • ISO F • bimetal |
| 04 |           |           |     |      |           | 3.6   | Δ400                       | IE3      | 1755         | 7.28                      | UL (E365362) • CSA<br>IP 55 • ISO F • bimetal |

<sup>1)</sup> According to DIN EN ISO 11203, accuracy class of measurement: class 2, extended measurement uncertainty: 3 dB  
 1 m [39.4 inch] distance, at medium load, both connection sides piped  
 ▪ Gas ballast valve: water vapour tolerance max. 7 mbar; water vapour capacity max. 0.3 l/h (at 85°C operating temperature)  
 ▪ Current consumption and rotation speed may vary. Tolerance in each case -1.5/+2%



Suction air rate refers to the intake pressure  
 Reference data (atmosphere): 1000 mbar (100 kPa), 20°C (68°F)  
 Tolerance: ±10%



**MAKE IT BECKER.**